



A planning guide for architectural specifiers, interior designers, building owners, building contractors, facility managers, home owners and anyone interested in bathroom design.

Preface

Legal Requirements	3
Applying Universal Design	4

General Information

Mounting Heights Compliance	5
Mounting Heights Alternative Components	6

General Information

Clear floor space	7
-------------------	---

Function area

Toilets Mounting Compliance	8
Toilets Mounting Alternative Solutions	10
Toilets Toilet Stall Types	12

Shower Mounting Compliance	14
Shower Mounting Alternative Solutions	18

Bathtub Mounting Compliance	20
---------------------------------	----

Sink Mounting	22
-----------------	----

Product Overview

805 Range Products for Accessibility	24
805 Range Accessories	26

801 Range Products for Accessibility	28
801 Range Accessories	30

LifeSystem Range Products for Accessibility	32
---	----

Resources

Organizations	34
Publications	35

Services Contact Ordering	35
--------------------------------------	-----------

How to order

The information and illustrations in this booklet are offered to designers for bathroom projects after a study of regulations, current design principles and case studies. It does not replace a comprehensive review of local, state and federal requirements. Please reference the resources provided to assure compliance, when needed.

Preface

Legal Requirements

Legal Requirements

For many years civil rights laws and building codes have increased the ability of people with disabilities to attend school, get a job and go to libraries, government buildings, medical offices, restaurants, theaters and hotels. Accessible and usable bathrooms are integral to this independence. The information and illustrations for recommended products and their installations presented in this booklet are compliant with the following laws and codes.

Americans with Disabilities Act (ADA)

Under the ADA, new construction and alterations of private sector, public accommodations and commercial facilities must comply with the ADA Standards for Accessible Design. New construction and alterations of state and local government facilities must comply with either the ADA Standards for Accessible Design or the Uniform Federal Accessibility Standards (www.access-board.gov/ufas).

In 2004 the Access Board issued revised and updated accessibility guidelines for buildings and facilities covered by ADA and the Architectural Barriers Act (ABA). These guidelines serve as the basis for enforceable standards issued by other federal agencies (www.access-board.gov/ada-aba/index.htm). The Board sought to harmonize the ADA and ABA Accessibility Guidelines with industry standards, particularly the International Building Code (IBC) and ICC/ANSI A117.1 Accessible and Usable Buildings and Facilities.

The Department of Transportation has amended its ADA regulations and has adopted the Access Board's 2004 ADA Accessibility Guidelines for transportation facilities. The Department of Justice regulates all other, non-transportation buildings and facilities under the ADA. The Department of Justice is in the process of adopting a revised ADA Standard based on the Access Board's 2004 ADA Accessibility Guidelines. Check the Department's website at www.ada.gov for the status of this rulemaking. As of the printing of this booklet the Department of Justice's July 1, 1994 version is the enforceable ADA Standard for Accessible Design (www.ada.gov/stdspdf.htm).

When the Department of Justice completes its rulemaking, the revised ADA Standards for Accessible Design will apply to both, the private sector and to state and local governments. At that point UFAS (Uniform Federal Accessibility Standards) will no longer be an option for state and local government facilities.

Architectural Barriers Act (ABA)

Federal buildings are not covered under the ADA because they're covered under another law: the Architectural Barriers Act. The ABA requires access to facilities designed, built, altered, or leased with federal funds. Passed by Congress in 1968, it is one of the first endeavors to ensure access to the built environment. While the Access Board develops and maintains accessibility guidelines under this law, four federal agencies are responsible for adopting the guidelines as enforceable standards: the Department of Defense, the Department of Housing and Urban Development, the General Services Administration and the U.S. Postal Service. We are expecting that all four of the standard setting agencies will adopt the Access Board's 2004 ABA Accessibility Guidelines, which is comparable to the 2004 ADA Accessibility Guidelines.

As of the printing of this booklet, the General Service Administration and the U.S. Postal Service have adopted the 2004 ABA Accessibility Guideline (www.access-board.gov/ada-aba/index.htm). The Department of Housing and Urban Development and the Department of Defense continue to use the 1985 Uniform Federal Accessibility Standard (UFAS) (www.access-board.gov/ufas). Check the Access Board's website at www.access-board.gov for the status of the federal agencies' adoption of the 2004 Guidelines.

State and Local Codes

While some states and local governments have their own unique accessibility codes, e.g. California and Massachusetts, many states have adopted the International Building Code (IBC) which references ICC/ANSI A117.1 Accessible and Usable Buildings and Facilities. Some states that have adopted the IBC and ICC/ANSI A117.1 have also adopted unique state supplements. For instance, Connecticut requires three grab bars at public toilets: one on the back wall, one on the side wall and one that pulls down. The Access Board maintains a list of the states' accessibility requirements and contacts at www.access-board.gov/links/statecodes.htm.

Canada

The National Building Code of Canada (NBC) www.nationalcodes.ca is a model code that includes requirements for accessibility. The NBC has no legal status until adopted by a province, territory or municipal government. The National Research Council Canada maintains a list of contacts for the ten provinces and three territories at www.nationalcodes.ca/prov_links_e.shtml.

General Information

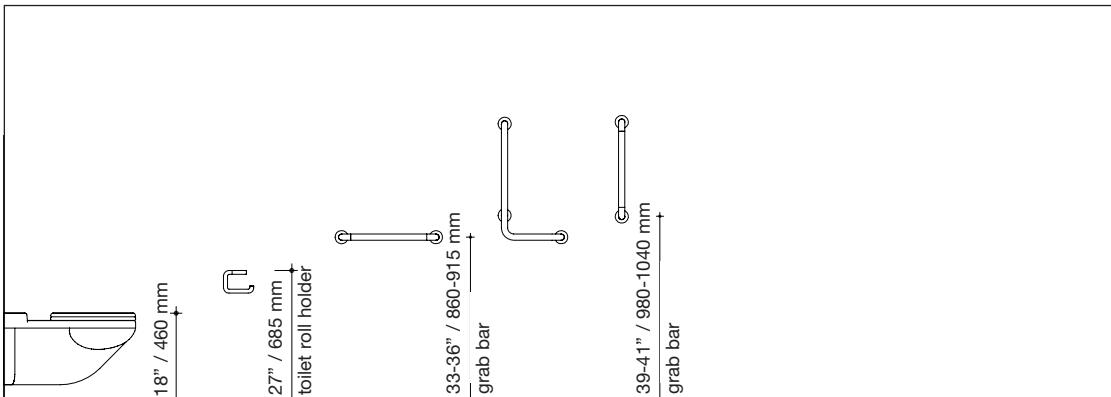
Mounting Heights | Products ADA compliant

The mounting height requirements for washroom and restroom equipment or accessories may differ within a facility depending on location and direction of reach necessary in order for the equipment to be used.

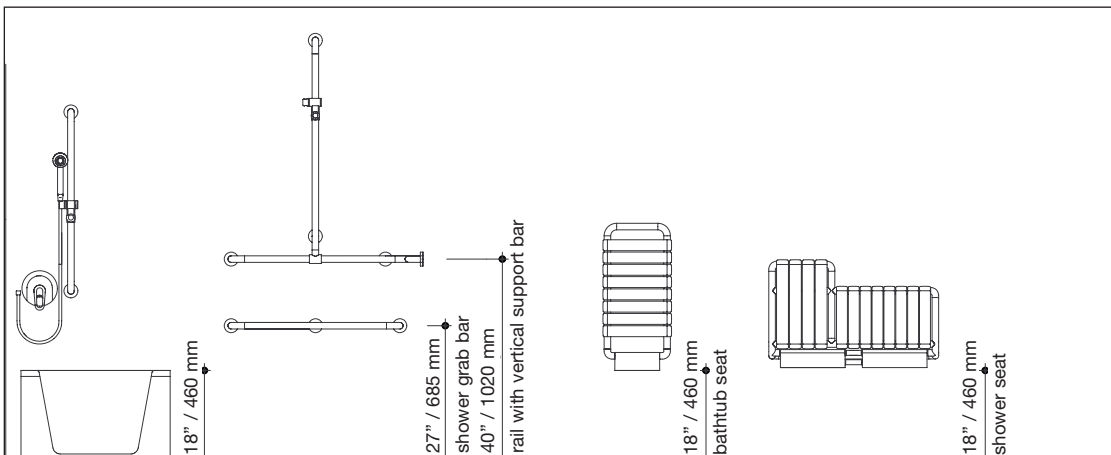
People in wheelchairs can be accommodated with access to the equipment from the side; this requires that accessories together with their dispensing mechanisms, start buttons, coin slots, dispenser openings, etc. are mounted 38" to 54" (965 mm to 1370 mm) above the surface of the floor.

To provide forward accessibility as well, these fixtures and elements must be positioned no more than 48" (1220 mm) above the surface of the floor. Elements installed above obstructions such as counters, for example, must be positioned no more than 44" (1120 mm) above the surface of the floor for a forward reach.

Toilet area



Shower/Bathtub area

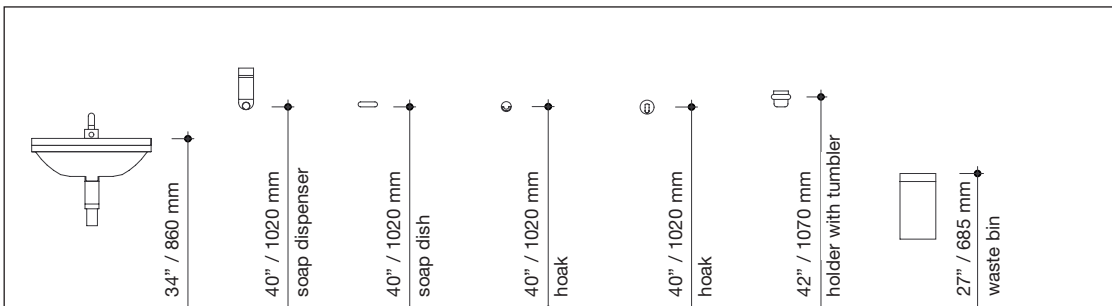


General Information

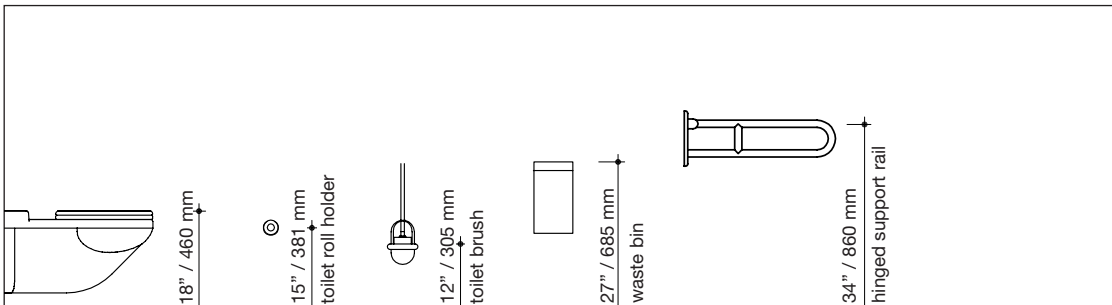
Mounting Heights | Alternative Components

In residential situations where there are no requirements and as an additional design feature in places of lodging, health care facilities and other buildings that fall under the ADA and/or state building codes, other products are possible. For these products we recommend the following mounting heights:

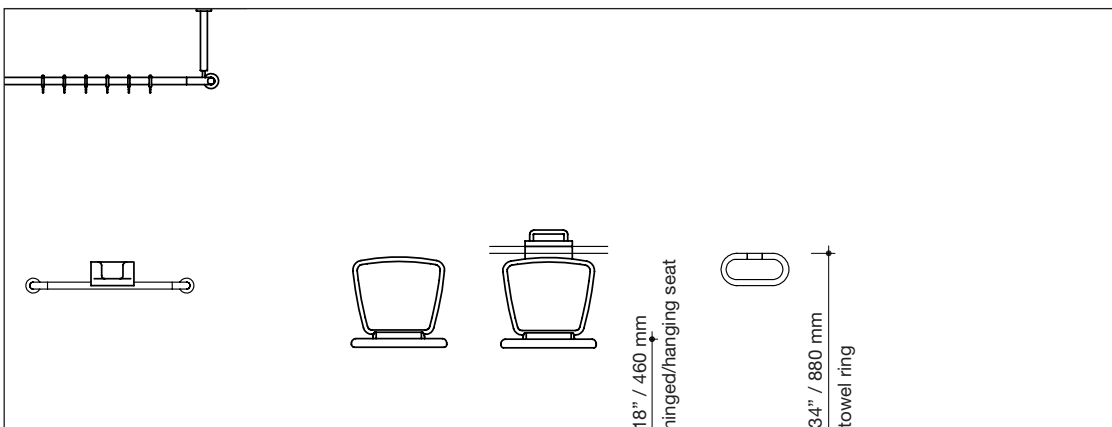
Sink area



Toilet area

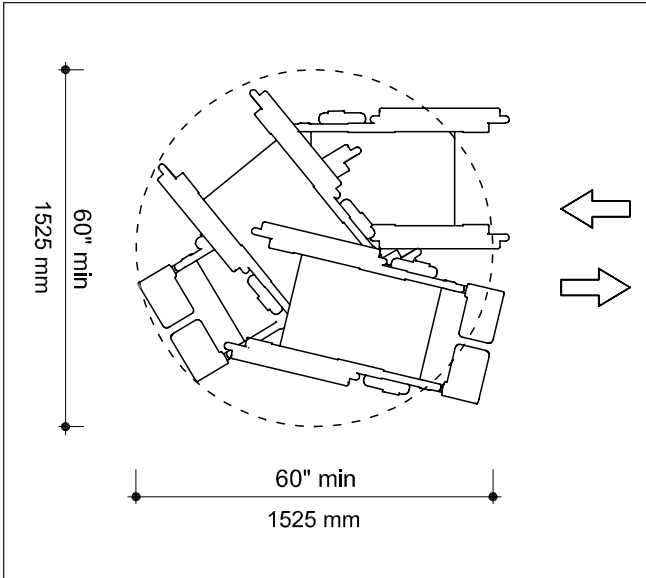


Shower/Bathtub area



General Information

Clear Floor Space



Wheelchair turning space

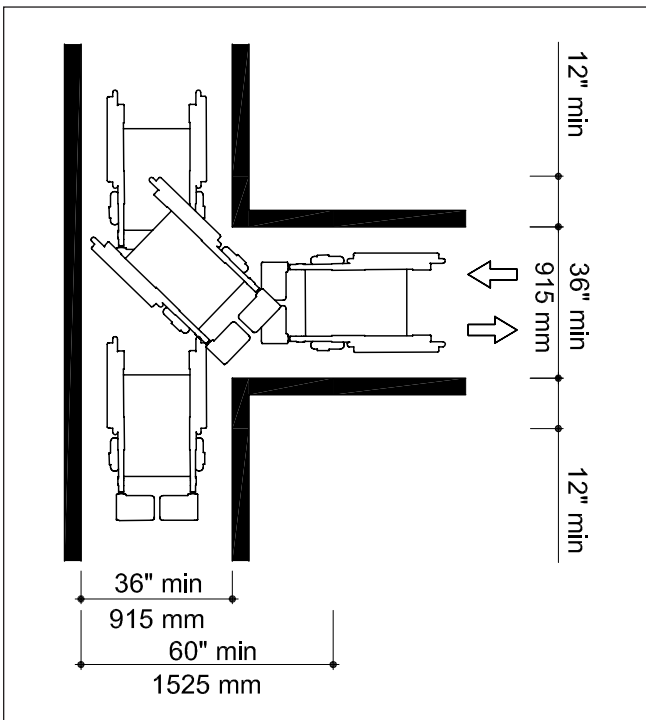
Clear floor space for one wheelchair must be 30" x 48" (760 mm x 1219 mm) or more to accommodate the chair with ease. The equipment to be used must be approachable from the front or the side.

Some of this clear floor space may be located underneath fixtures, lavatories, or accessories as long as the necessary knee and toe clearance is available.

The clear floor space permits left- and right-hand access if correctly centered in front of controls and fixtures.

Additional floor space might be required if equipment is placed in alcoves or recessed areas.

The required turning radius is the space needed by one wheelchair to make a 180-degree turn. This space must be at least 60" (1525 mm) in diameter.



Wheelchair t-shaped turning space

Also possible is a T-shaped turning area (60" x 60" / 1525 mm x 1525 mm) with an aisle 36" (915 mm) in width that allows for a three-point-turn.

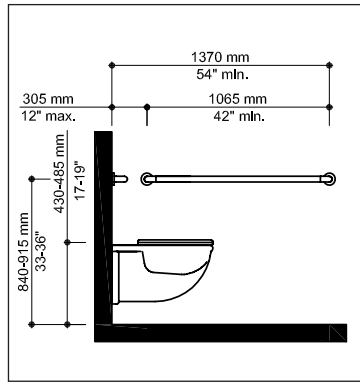
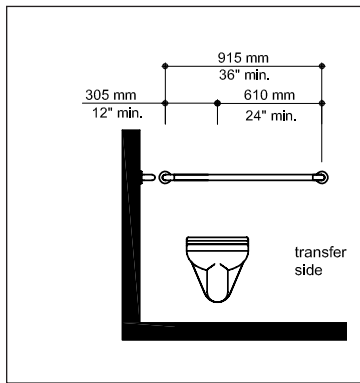
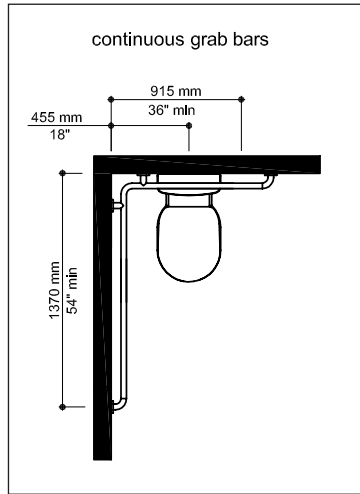
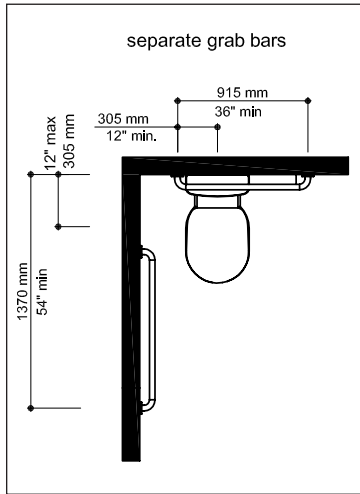


Symbols

· Are available in polyamide and stainless steel

Function Area | Toilets

Mounting | Compliance



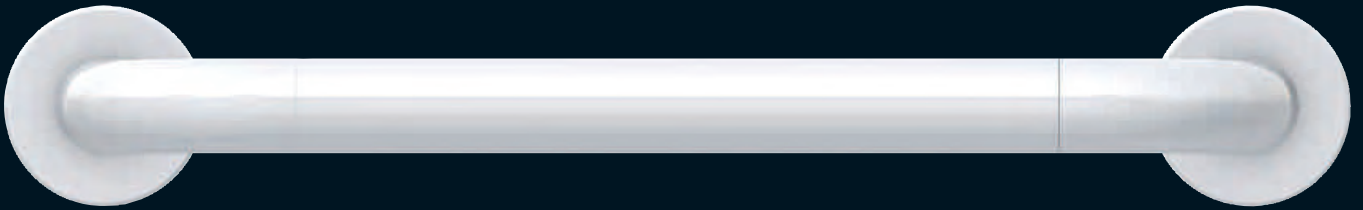
ADAAG refers to 5 types of toilet stalls:

- Standard 60" (1525 mm) min. width
- Standard alcove type 60" 1525 mm) min. width
- Alternate 36" (915 mm) width
- Alternate 48" (1220 mm) min. width
- Walk-in-stall 36" (915 mm) width

Grab bars must have a diameter between 1 ¼" and 1 ½" (32 mm – 38 mm). Their mounting height must be between 33" and 36" (838 mm and 915 mm) and their structural strength 250 lbf (1112N).

Checklist Toilet

Top front edge height	17" – 19" (430 mm- 485 mm)
Extension	Not specified, undercut bowls
Flush control	Max. 44" (1120 mm) height located on the approach side
Grab bars	mounting height 33 - 36" (840-915 mm)
vertical grab bars (additional)	39 - 41" (990 mm -1040 mm) from rear wall, length min 18" (455 mm)
Toilet roll holder	No delivery control max. 36" (915 mm) from back wall ctr. line at min 19" (485 mm) above floor



Grab bars

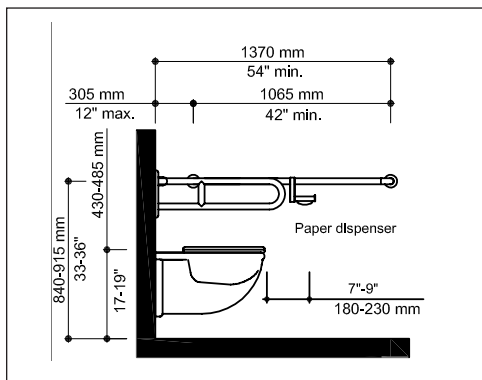
- Grab bars provide stability and support for people getting on and off the toilet
 - Grab bars shall be free of sharp or abrasive elements and shall have round edges
 - Grab bars shall not rotate within their fittings

 - **Polyamide:** Surface materials provide extensive color selection to compliment finish schemes or to create visual contrast. Materials do not support the growth of bacteria. Steel core materials assure long term stability and safety.

 - **Brushed stainless steel:** For the 805 Range products, HEWI uses high-quality stainless steel offering great strength and long-term resistance to corrosion
-

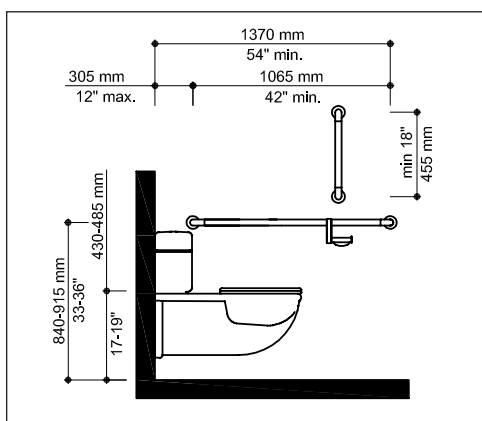
Function Area | Toilets

Mounting | Alternative Solutions



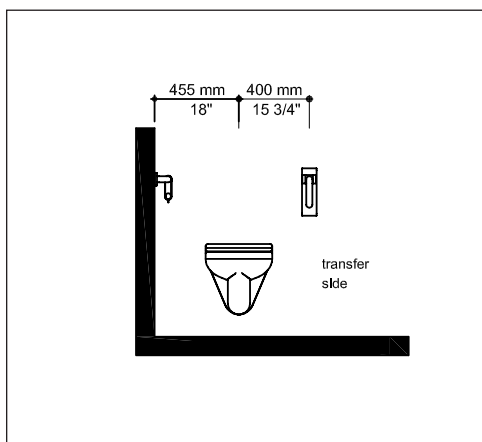
Alternate design option - with lift-up support rail

Some states, such as Connecticut, require a third pull down grab bar to provide more support options in the wheelchair accessible stall and in single user toilet rooms. Although the International Building Code does not require a pull down grab bar, ICC/ANSI 117.1 specifies dimensions and installation where one is provided. Toilet roll holder must be positioned to be within easy reach but not obstructed by grab bar. Toilet roll holders shall allow continuous paper flow.



Toilet roll holder

Toilet roll holder must be located to be in reach range but not interfere with grab bar use (and vice versa). The toilet roll holder needs to allow continuous paper flow.



Vertical grab bar

The vertical grab bar provides additional methods for getting on and off the wheelchair accessible toilet. Its used by people with limited le strength who need to use their arm to lower themselves down and pull themselves up.

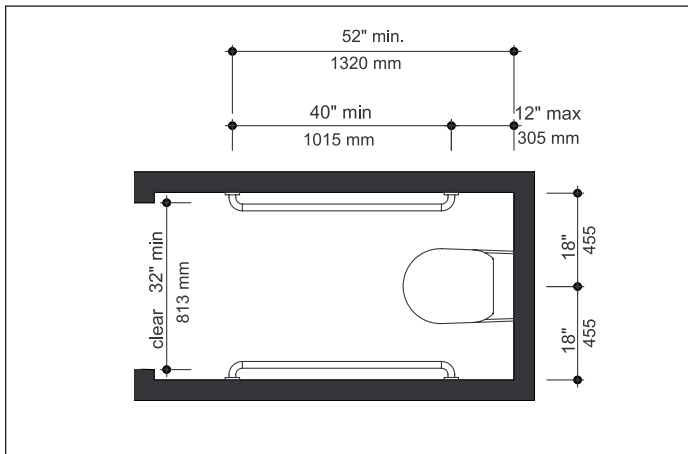


Hinged support rail

- Can be folded upwards and downwards (includes a friction stop); a turn to left or right locks support in vertical position
 - With corrosion resistant steel core and wall mounting plate made of polyamide with integrated steel core
 - Plate 3 1/16" (78 mm) wide and 10 3/16" (259 mm) high, bars ø 33 mm
-

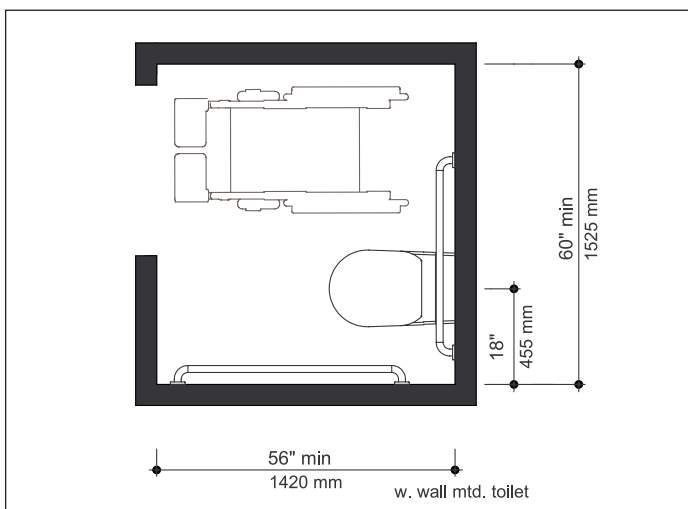
Function Area | Toilets

Toilet Stall Types



Ambulatory accessible stall

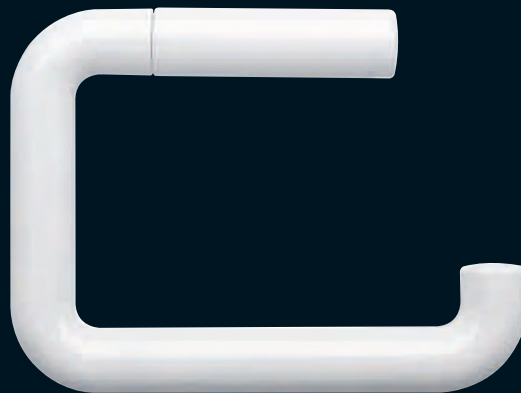
The ADA, ABA and IBC recognize that the large, wheelchair accessible stall does not meet the needs of everyone with a mobility impairment. Thus an “ambulatory accessible” stall is required in new construction and alterations where there are six or more stalls. The parallel grab bars are close enough to the seat to allow use of both arms getting on and off the toilet. We recommend including an ambulatory accessible stall in toilet rooms with fewer than six stalls.



Wheelchair accessible stall

The minimum space required in toilet compartments is provided so that a person using a wheelchair can maneuver into position in the stall. This space cannot be obstructed by baby changing tables or other fixtures or conveniences.

Wheelchair accessible compartments shall be 60" (1525 mm) wide minimum measured perpendicular to the side wall, and 56" (1420 mm) deep minimum for wall hung toilets and 59" (1500 mm) deep minimum for floor mounted toilets measured perpendicular to the rear wall.



Toilet roll holder

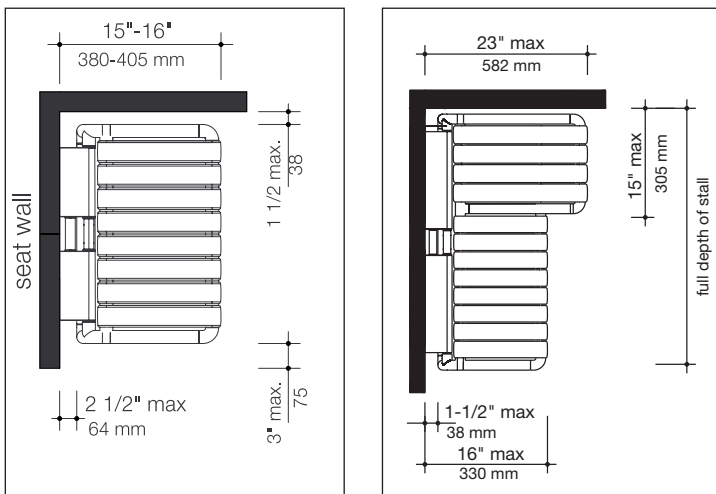
- Right angled U-shaped holder
- Retaining element to prevent unauthorised removal of toilet roll
- Concealed fitting to prevent unauthorised removal of holder

- **Polyamide:** high quality polyamide

- **Brushed stainless steel:** high quality stainless steel with brushed surface finish

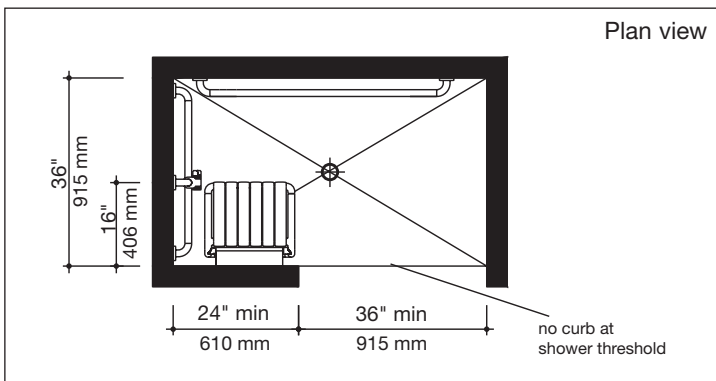
Function Area | Shower

Mounting | Compliance



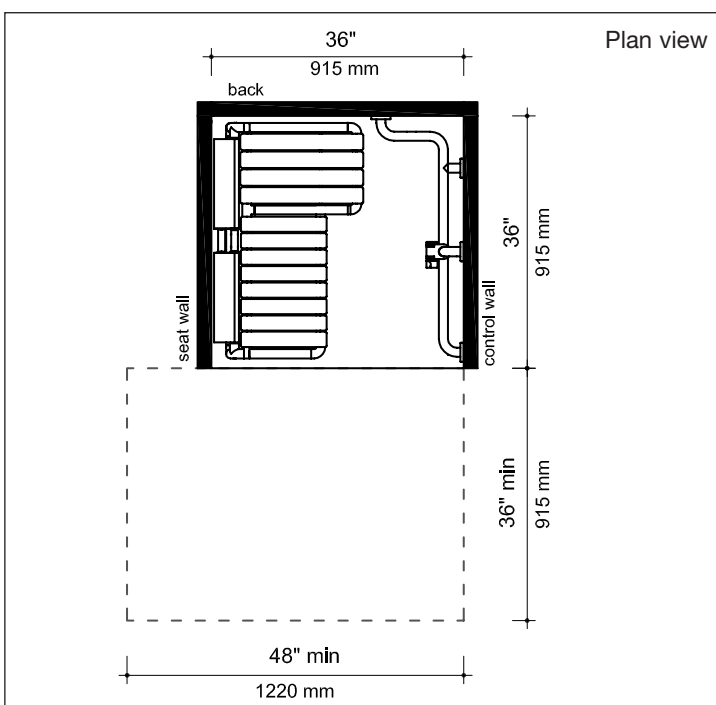
Shower seats

The L-shaped shower seat is specified in the July 1994 ADA Standards for Accessible Design for transfer showers. The roll-in showers may have an L-shaped seat or a rectangular shower seat. The rectangular shower seat has been found to be just as user friendly as the L-shaped seat so both the rectangular and the L-shaped seat are permitted in the 2004 ADA Accessibility Guidelines and ICC/ANSI A117.1.



Alternate roll-in shower with transfer seat

This design is occasionally used in places of lodging, health clubs and gyms. One grab bar is on the back wall and one is on the side wall next to the seat so that a person can use it to get on and off the seat. Again, there's no grab bar behind the seat. As with the previous roll-in shower, the length of the grab bars will depend on the size of the stall and the depth of the seat. The seat is permanently attached.



Transfer shower

The transfer shower must be exactly 36" x 36" (915 mm - 915 mm). It is frequently used where space is limited. The bar length is not specified but may not overlap the folding seat. We recommend starting the grab bar 3" (76 mm) from the shower opening to allow room for a shower curtain, but still be close enough for someone to use while transferring off and on a wheelchair.



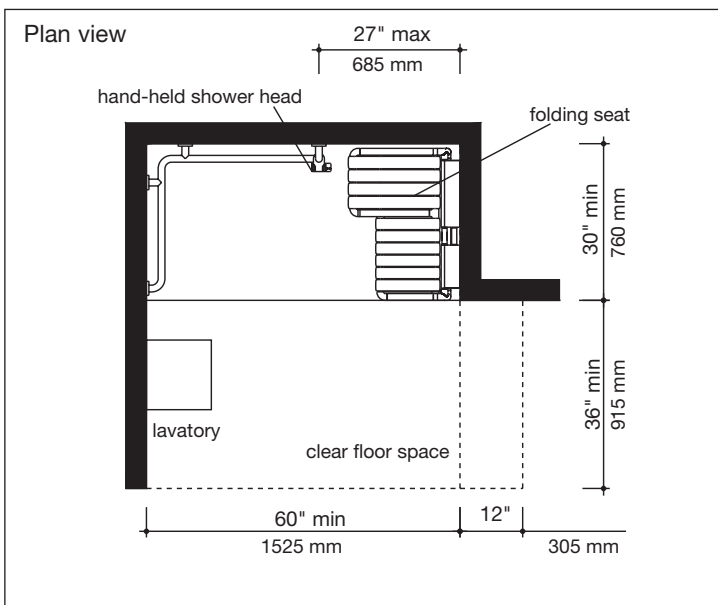
Shower Seats

Adding a seat to a shower area improves safety and offers the opportunity for more independent personal care. Where a seat is provided it shall be a folding type.

The seat must extend the full depth of the shower so that a person can transfer on to it safely and also have both the back and side walls to lean against for support. The seat can not be more than 3" (75 mm) from the edge of the shower opening so that a person using a wheelchair can pull close to the seat to make a transfer.

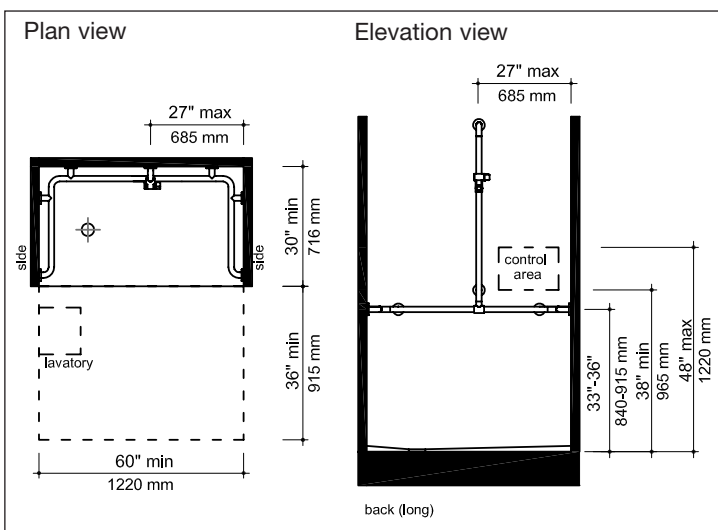
Function Area | Shower

Mounting | Compliance



Roll-in shower with transfer seat

Roll-in showers with folding transfer seats are frequently used in health care settings, places of lodging, health clubs and gyms. Grab bars are provided on the back wall and on the wall opposite the seat. There's no grab bar behind the seat so a person has full use of that wall for back support. This shower is also 30" x 60" (716 mm - 1220 mm) minimum. The size of the shower and the depth of the seat will determine the length of the grab bars. The seat is permanently attached.



Roll-in shower

The roll-in shower provides several options: people who use shower wheelchairs can roll in to the shower and stay in their shower chairs, a portable bench or non-rolling shower chair can be added or people can stand. Plus the roll-in shower provides adequate space for a care provider to assist with the shower. The roll-in shower must be a minimum of 30" x 60" (716 mm x 1220 mm) but there's no maximum dimension. The size of the stall will determine the length of the grab bars. There can be one continuous bar on all three walls or three separate bars that are 6" (152 mm) maximum from the corners. We recommend starting the grab bar(s) 3" (76 mm) from the shower opening to allow room for a shower curtain but still be close enough for someone to use when entering and leaving the stall.

Checklist Shower

Grab bars	Installed within a maximum of 6" (150 mm) adjacent walls horizontal position, min. 33" (840 mm) - max. 36" (915 mm) above the floor
Fold-up shower-seat	17" - 19" (430 mm - 485 mm) top of the seat above the floor
Controls, faucets, shower spray unit	Min. 38" (965 mm) - max. 48" (1220 mm) above the shower floor
Temperature water	Max. 120°F (49°C)
Thresholds	Max. 1/2" (13 mm) high



L-shaped support rail with shower head holder

- Vertical and horizontal bars joined to form an L-shape, with rose fixings and shower head holder
 - Shower head holder adjustable to required angle and height
 - Conical adaptor on shower head holder facilitates accommodation of shower head
 - Vertical length 43 5/16" (1100 mm), horizontal length 23 5/8" (600 mm)
 - Suitable for hanging seat
 - The high quality brushed surface finish is easily cleaned and resists fingerprints
-

Function area | Shower

Mounting | Alternative Solutions

In residential situations where there are no requirements and as an additional design feature in places of lodging, health care facilities and other buildings that fall under the ADA and/or state building codes, other products are possible.

The LifeSystem seats offer the greatest number of options: the height can be altered; they come with or without backrests and with or without fold away armrests. Plus the seat is available as transportable hanging seat so that it can be used in different bathrooms.



The ability to upgrade increases flexibility and value

The hinged seat can be upgraded with a comfortable backrest. Individually operated fold-away armrests provide additional safety. In this way the costs do not exceed the planning basis of the initial fit out but offer future options.



Folding function

The hinged seat can be folded up to save space.



Convenient height-adjustable hinged seat

A few simple hand adjustments by the user or care giver enable the height of the hinged seats to be altered.



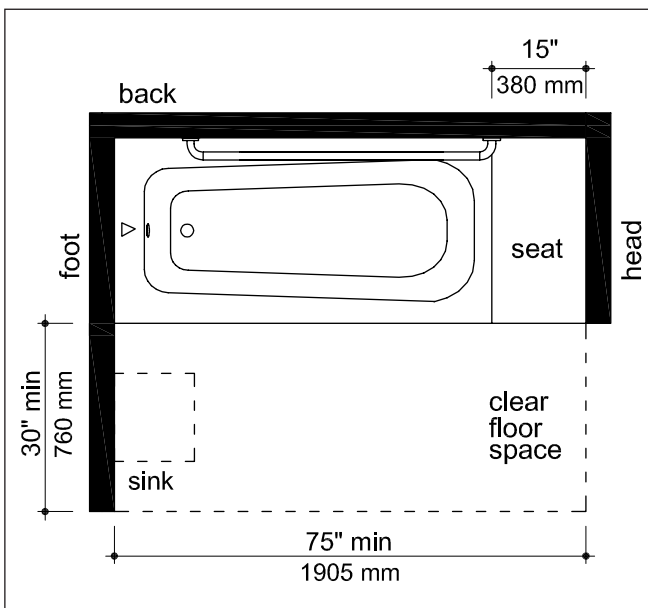
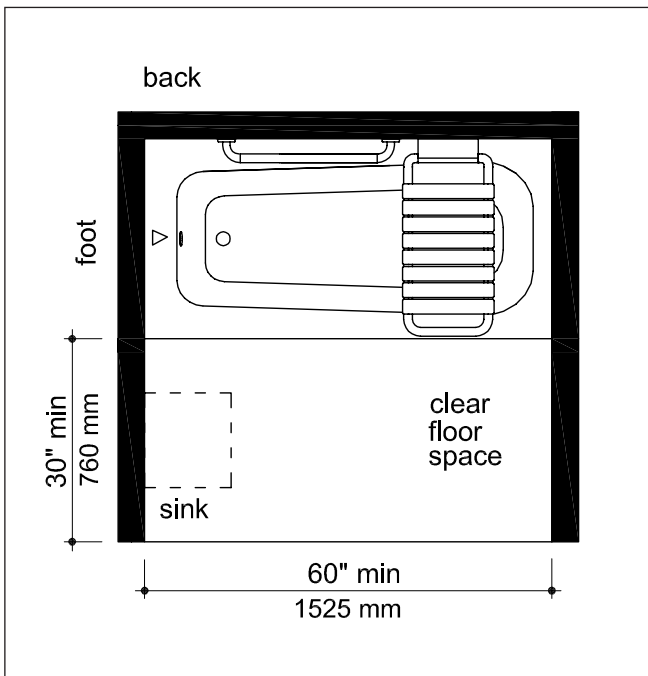
Flexibility in the shower

The hanging seat is also available as a transportable hanging seat. This can be easily folded together and carried by the handle to other rooms.



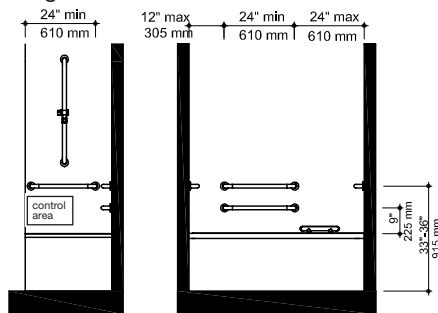
Hinged seat

- Ergonomically shaped seat with hygiene opening and water run-off
 - Easy clean surfaces
 - Comfortabel to use
 - Loading capacity up to 150 kg
 - Separate installation of HEWI wall fixing and product
-



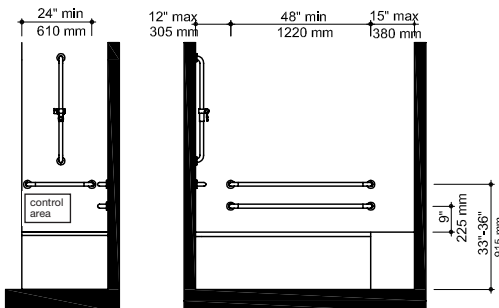
Bathtub

Clearance in front of bathtubs shall extend the length of the bathtub and shall be 30" (760 mm) wide minimum. A permanent seat at the head end of the bathtub or a removable in-tub seat shall be provided. Where a permanent seat is provided at the head end of the bathtub, the clearance shall extend 12" (305 mm) minimum beyond the wall at the head end of the bathtub. In-tub seats must be mounted securely and not slip during usage.



Bathtub/shower combo

The bathtub/shower combo is frequently used in places of lodging since only a small percentage of the accessible guest rooms are required to have roll-in showers.



Checklist Bathtub

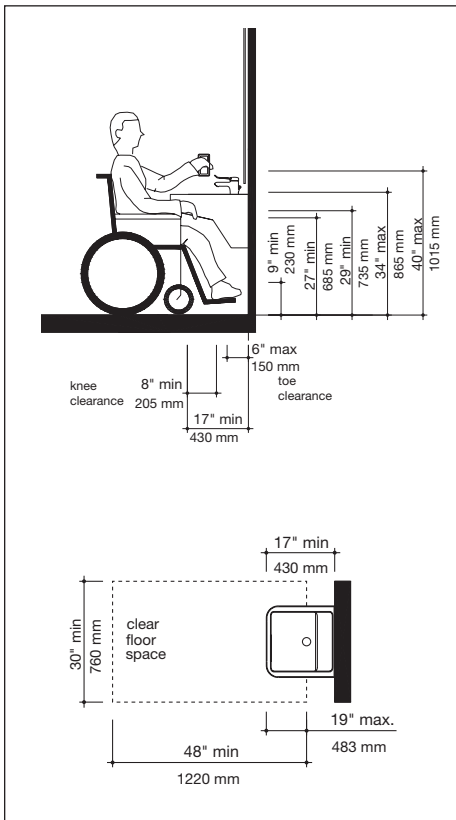
Portable in-tub seat	Depth 15" - 16" (380 mm - 405 mm)
Integral tub head seat	Min. 15" (380 mm) depth
Fixed shower head holder	At max. 48" (1220 mm) above floor
Shower head	Hand-held 60" (1525 mm) min. hose length mounted on sliding bar recommended
Operation mechanisms	19" - 48" (430 mm - 1220 mm) above floor, operable one handed operation force 5 lbf (22,2 N) max.



Wall bath tub seat with fold-up feature

Adding a seat to a bath tub improves safety and offers the opportunity for more independent personal care.

Hewi bath tub seat with diameter 1 5/16" (33 mm) frame with corrosion resistant steel core; nylon slats 2 3/16" (55 mm) wide; adequate wall blocking required; supplied with screw inserts and socket head bolts



Accessible sink

Accessible sinks must be mounted with the rim or counter surface no higher than 34" in (865 mm) above the finish floor and provide a clearance of at least 29" (735 mm) above the finish floor to the bottom of the apron.

A clear floor space 30" in by 48" (760 mm x 1220 mm) must be provided in front of a sink to allow forward approach. Such clear floor space must adjoin or overlap an accessible route and must extend a maximum of 19" (485 mm) underneath the sink.

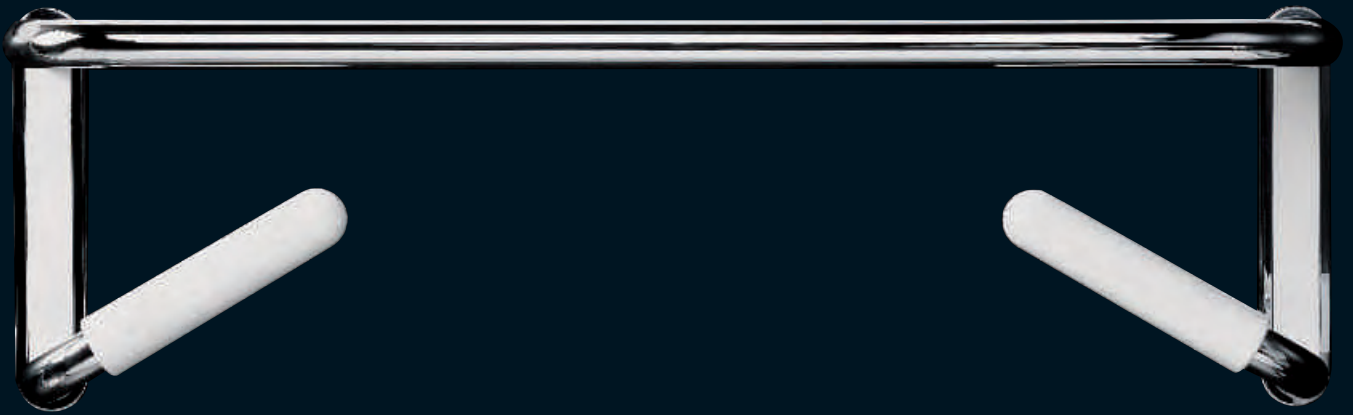
Knee and toe clearance underneath the sink must be provided: knee clearance at least 27" (685 mm) above the finish floor, and at least 8" (205 mm) under the front edge; toe clearance 9" (230 mm) above finish floor for the full depth of the sink.

The mounting height for mirrors shall be 40" (1015 mm) from the bottom edge of the reflecting surface above the finish floor.

Faucets lever-operated, push-type, and electronically controlled mechanisms are examples of acceptable designs. If self-closing valves are used the faucet must remain open for at least 10 seconds.

Checklist Sink

Top front edge at	34" (865 mm) max.
Extension	17" (430 mm) max.
Clearance from bottom of apron to finished floor	29" (735 mm) min.
Clear floor space	W 30" - 48" (735 mm)
Clear floor space under sink	17" - 19" (430 mm - 485 mm)
Knee clearance height	27" (685 mm) min.
Toe clearance height	9" (230 mm) min. provided for full depth of sink
Plumbing	Insulated or otherwise configured to protect against contact / no sharp edges or rough surfaces
Mirrors	
Operable	One-handed
Operation force	5 lbf (22,2N) max.
Height of bottom edge	40" (1015 mm) max.
Paper towel dispenser	
Location	Conveniently accessible to wheelchairs, preferably adjacent to an accessible sink
Waste receptacle	
Location	Conveniently accessible to wheelchairs, preferably adjacent to an accessible sink



Mirror shelf

- Unbreakable shelf with integrated support rails for holding onto and independent standing
 - High stability, thanks to large attachment area
 - Handle can be installed at 0° or 30° angle
 - Continuous mirror solution available
 - Divided Mirror shelf also available
-

805 Range | Products for Accessibility

Product Overview

Available starting April 1st 2008

Application Areas

Hospitals, Rehabilitation Centers, Nursing Homes, Assisted Living Facilities, Clinics, Congregate Housing, Continuing Care Retirement Communities, Independent Living Apartments, Intermediate Care Facilities, Public Buildings, Single and Multi-Family Residential Projects.

Standards

Products comply with:

- ADA Guidelines
- ANSI

(where applicable)

Material

Brushed stainless steel.

For its 805 Range products, HEWI uses high-quality stainless steel offering great strength and long-term resistance to corrosion. The brushed finishes are non-porous, giving the products their unique look.

Product Features

Upgrade capability

The design of 805 Range products enables them to be adapted to meet a variety of specific needs. For example, the hinged support rail, which can be enhanced to include a toilet roll holder that can be fitted in any position required.

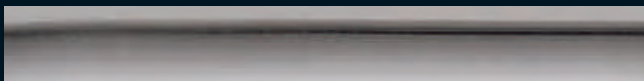
User friendly

The height adjustment of the shower head holder was designed by HEWI to make it exceptionally user friendly. The user can move the shower head holder into the desired position with minimal effort by applying gentle pressure to the lever with just one hand.

Polyamide colors

anthracite gray (92)

Brushed stainless steel finish



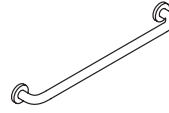
Polyamide components in anthracite gray and pure white



92

99

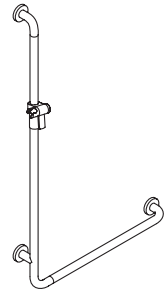
Compliance



Support rail

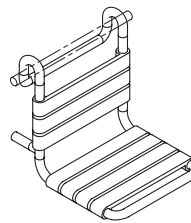


Shower head holder

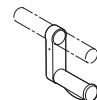


L-shaped support rail with shower head holder

Alternative Solutions



Removable hanging seat

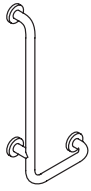


Upgrade kit toilet roll holder

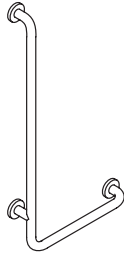


ADA Compliant

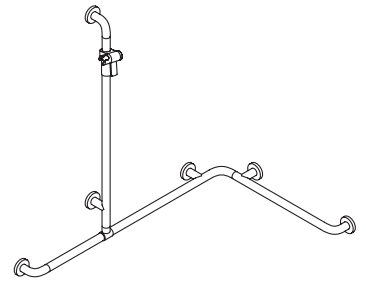
(American Disability Act Standards for Accessible Design)



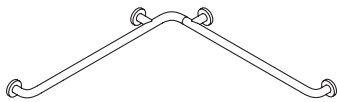
L-shaped support rail



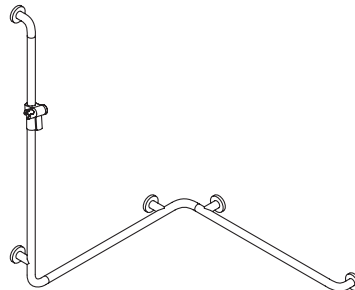
L-shaped support rail



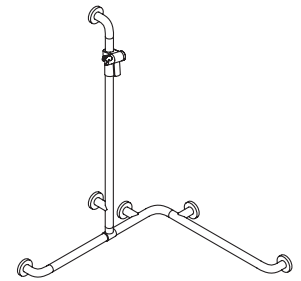
Shower grab rail with shower head holder



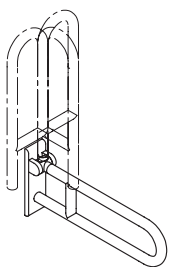
Shower grab rail



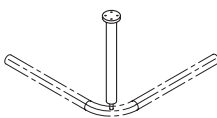
Shower grab rail with shower head holder



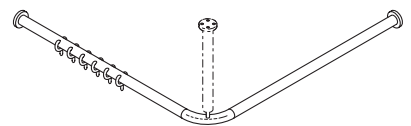
Shower grab rail with shower head holder



Hinged support rail



Ceiling support



Shower curtain rail

805 Range | Accessories

Product Overview

Available starting April 1st 2008

Application Areas

Hospitals, Rehabilitation Centers, Nursing Homes, Assisted Living Facilities, Clinics, Congregate Housing, Continuing Care Retirement Communities, Independent Living Apartments, Intermediate Care Facilities, Public Buildings, Single and Multi-Family Residential Projects.

Standards

Products comply with:

- ADA Guidelines
- ANSI

(where applicable)

Material

High-quality stainless steel offering great strength and long-term resistance to corrosion. The brushed finishes are non-porous.

Colors Polyamide

pure white (99), anthracite gray (92)

Brushed stainless steel finish



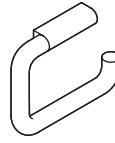
Polyamide components in anthracite gray or pure white



92

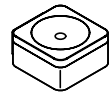
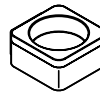
99

Compliance



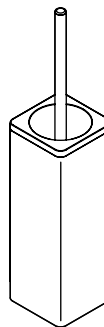
Toilet roll holder

Alternative Solutions

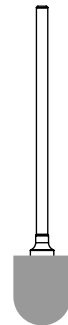


Glass tumbler and holder

Soap dish



Toilet brush unit

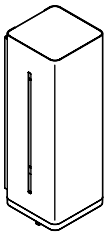


Toilet brush

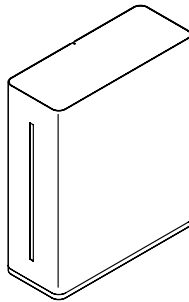


ADA Compliant

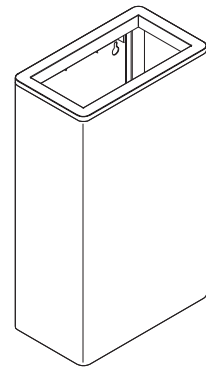
(American Disability Act Standards for Accessible Design)



Soap dispenser



Paper towel dispenser



Paper towel waste bin



Single hook



Symbols

801 Range | Products for Accessibility

Product Overview

Application Areas

Hospitals, Rehabilitation Centers, Nursing Homes, Assisted Living Facilities, Clinics, Congregate Housing, Continuing Care Retirement Communities, Independent Living Apartments, Intermediate Care Facilities, Public Buildings, Single and Multi-Family Residential Projects.

Standards

Products comply with:

- ADA Guidelines
- ANSI

(where applicable)

Material

Stability/Durability

The internal steel core assures their long-term stability and safety.

Materials resistant to corrosion

HEWI uses high-quality materials that are resistant to corrosion, offering first-class product quality and durability, thereby reducing any maintenance costs. This applies to all HEWI components, finished surfaces, core materials and mounting hardware. Full-color polyamide is used for products in the 801 Range. This synthetic material is available from HEWI in 16 different colors, ensuring that the products can be integrated into various design concepts and surroundings.

Colors

HEWI Basic colors

buttercup yellow (13), ruby red (33), burgundy (30), coffee brown (80), ultramarine blue (53), steel blue (50), meadow green (73), forest green (70)

HEWI Neutral colors

pure white (99), biscuit/linen (89) light gray (97), stone gray (95), anthracite gray (92), jet black (90)

HEWI Pastel colors

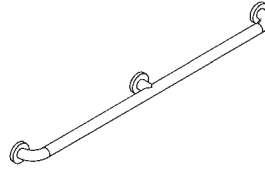
blossom yellow (16), lilac blue (56)

HEWI Colors

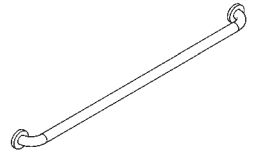


13 33 30 80 53 50 73 70 99 89 97 95 92 90 16 56

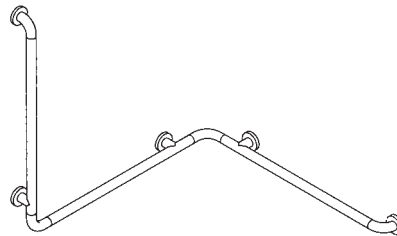
Compliance



Support rail

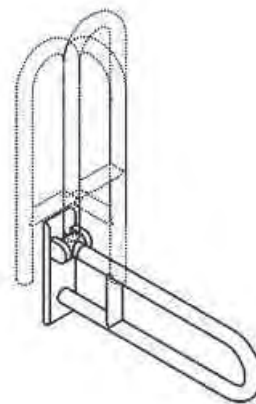


Support rail



Support rail

Alternative Solutions



Hinged support rail

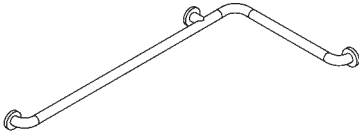


Shower head holder

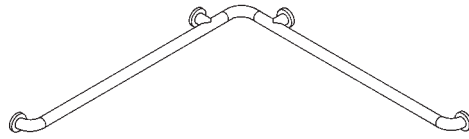


ADA Compliant

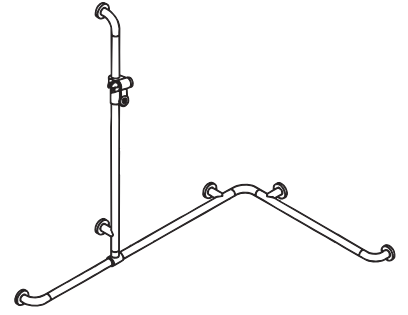
(American Disability Act Standards for Accessible Design)



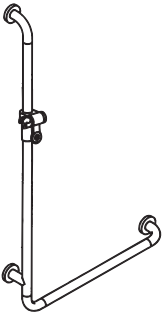
Support rail



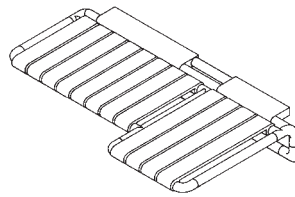
Support rail



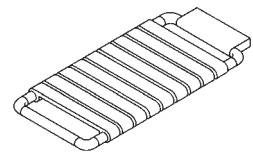
Support rail



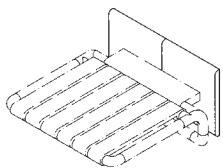
Support rail



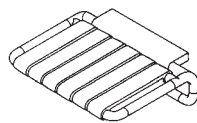
Hinged seat



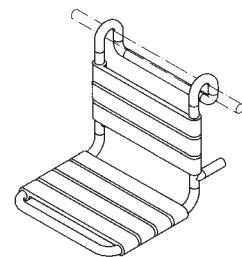
Hinged seat



Hinged seat



Hinged seat



Removable hanging seat

801 Range | Accessories

Product Overview

Application Areas

Hospitals, Rehabilitation Centers, Nursing Homes, Assisted Living Facilities, Clinics, Congregate Housing, Continuing Care Retirement Communities, Independent Living Apartments, Intermediate Care Facilities, Public Buildings, Single and Multi-Family Residential Projects.

Standards

Products comply with:

- ADA Guidelines
- ANSI

(where applicable)

Material

Stability/Durability

The internal steel core assures their long-term stability and safety.

Materials resistant to corrosion

HEWI uses high-quality materials that are resistant to corrosion, offering first-class product quality and durability, thereby reducing any maintenance costs. This applies to all HEWI components, finished surfaces, core materials and mounting hardware. Full-color polyamide is used for products in the 801 Range. This synthetic material is available from HEWI in 16 different colors, ensuring that the products can be integrated into various design concepts and surroundings.

Colors

HEWI Basic colors

buttercup yellow (13), ruby red (33), burgundy (30), coffee brown (80), ultramarine blue (53), steel blue (50), meadow green (73), forest green (70)

HEWI Neutral colors

pure white (99), biscuit/linen (89) light gray (97), stone gray (95), anthracite gray (92), jet black (90)

HEWI Pastel colors

blossom yellow (16), lilac blue (56)

HEWI Colors



13 33 30 80 53 50 73 70 99 89 97 95 92 90 16 56

HEWI Glass color



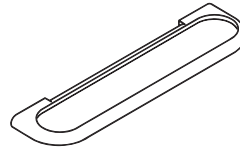
05

Compliance



Toilet roll holder

Alternative Solutions



Shelf (Polyamide)



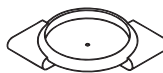
Glass tumbler and holder



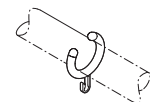
Grab rail



Grab rail



Corner shelf

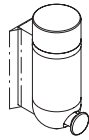


Shower curtain ring





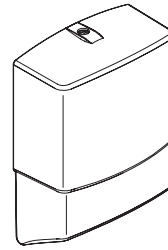
Soap dish insert



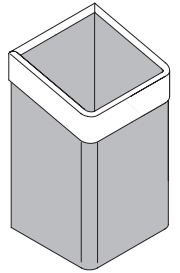
Soap dispenser



Hooks



Paper towel dispenser



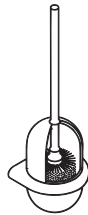
Paper towel basket



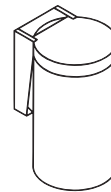
Towel holder



Toilet brush unit



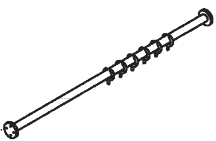
Toilet brush unit



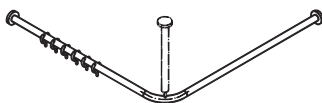
Waste bin



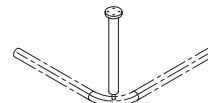
Symbols



Shower curtain rail



Shower curtain rail



Shower curtain rail

LifeSystem | Products for Accessibility

Product Overview

Application Areas

Hospitals, Rehabilitation Centers, Nursing Homes, Assisted Living Facilities, Clinics, Congregate Housing, Continuing Care Retirement Communities, Independent Living Apartments, Intermediate Care Facilities, Public Buildings, Single and Multi-Family Residential Projects.

Standards

Products comply with:

- ADA Guidelines
- ANSI

(where applicable)

HEWI Basic colors

ruby red (33), burgundy (30), steel blue (50)

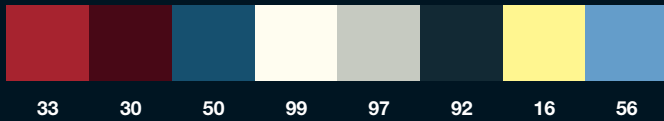
HEWI Neutral colors

pure white (99), light gray (97), anthracite gray (92)

HEWI Pastel colors

blossom yellow (16), lilac blue (56)

HEWI Colors



Accent Colors



highly polished chrome

matt powder-coated

LifeSystem White Edition

A new design option with a pure white surface.

Standards

Products comply with:

- ANSI

(where applicable)

HEWI Color

pure white (99)

HEWI Colors



99

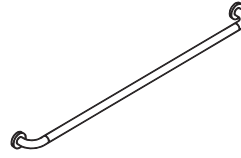
Accent Colors



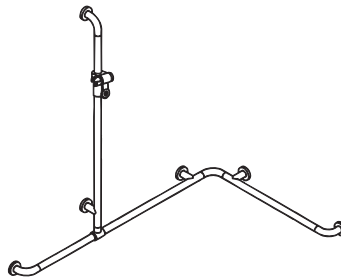
highly polished chrome

matt white

Compliance

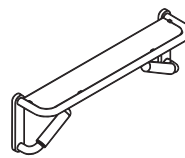


Support rail

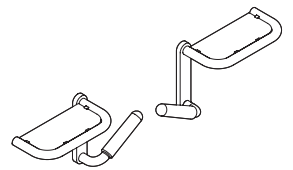


Rail with vertical support bar and shower head holder

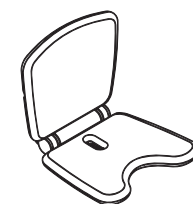
Alternative Solutions



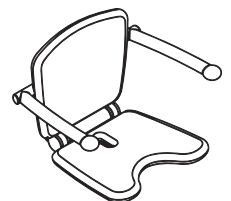
Shelf



Shelf for continuous mirrors



Hinged seat Comfort

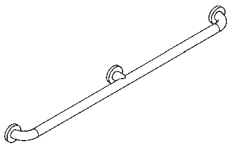


Hinged seat Premium

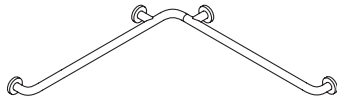


ADA Compliant

(American Disability Act Standards for Accessible Design)



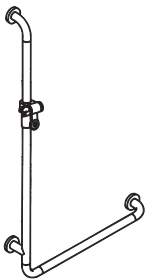
Support rail



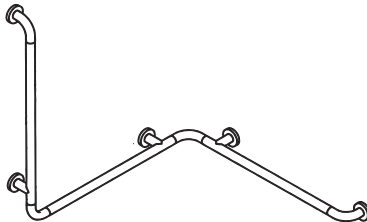
L-shaped support rail



L-shaped support rail



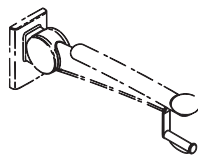
L-shaped support rail with shower head holder



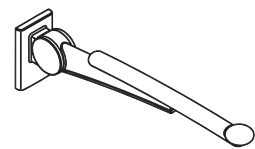
L-shaped support rail



Storage set



Upgrade kit toilet roll holder



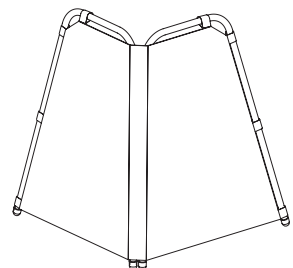
Lift up support rail



Toilet brush unit



Shower stool



Free-standing spray guard

Resources

Resources - Referral Organizations

Adaptive Environments

This international non-profit organization provides education and consultation about strategies, precedents and best practices that go beyond legal requirements to design places, things, communication and policy that integrate solutions to the reality of human diversity. AE's work balances expertise in legally required accessibility with promotion of best practices in human-centered or universal design.

617-695-1225

www.adaptiveenvironments.org

American Institute of Architects (AIA)

The AIA has an e-classroom and has a network of organizations that provide courses and workshops on accessibility and universal design.

202-626-7410, www.aia.org/ces_default

American Association of Retired Persons (AARP)

The AARP provides information on home design features that make a home safe and comfortable for everyone, young or old, whether they have a disability or not.

www.aarp.org/families/home_design

Center for Inclusive Design and Environmental Access (IDEA)

The Center provides resources and technical expertise to further design of environments and products that makes them usable, safer and appealing to people with a wide range of abilities throughout their life spans.

716- 829.3485 ex 329

www.ap.buffalo.edu/idea

Center for Universal Design (CUD)

CUD is a national information, technical assistance, and research center that evaluates, develops, and promotes accessible and universal design in housing, commercial and public facilities, outdoor environments, and products. It's mission is to improve environments and products through design innovation, research, education and design assistance

www.design.ncsu.edu/cud

919-515-3082

International Interior Design Association (IIDA)

IIDA's on-line knowledge center includes international accessibility and universal topics.

312-467-1950, www.iida.org

National Home Builders Association (NAHB) NAHB

holds courses and has articles on designing homes for accessibility and aging.

202-266-8200 x0 , www.nahb.org

Resources - Legal/Regulatory/Code Organizations

Regional ADA Centers

The ten ADA centers are funded by the U.S. National Institute on Disability and Rehabilitation and Research to provide technical information, training and publications on all aspects of the ADA. The centers have an affiliate organization in each state that is knowledgeable about state and local accessibility requirements.

800-949-4232

www.adata.org

US Access Board

The Board provides technical assistance and publications on the ADA Accessibility Guidelines, the Architectural Barriers Act, the ABA Accessibility Guidelines and the Uniform Federal Accessibility Guidelines. The Board maintains a list of state accessibility requirements and contacts.

800-872-2253

www.access-board.gov

US Department of Justice (DoJ)

The DoJ provides technical assistance and publications on ADA state and local government requirements (Title II) and private public accommodation and commercial facility requirements (Title III) including the ADA Standards for Accessible Design.

800-514-0301

www.ada.gov

International Code Council (ICC)

The ICC develops and sells the codes used to construct residential and commercial buildings, including homes and schools including the International Building Code and ICC/ANSI A177.1 Standard on Accessible and Usable Buildings and Facilities. The ICC sells these documents. The ICC also provides technical assistance by telephone and written committee interpretations on technical issues and clarifications of text for ICC members only.

888-422-7233

www.iccsafe.org

Canada

Resources - Legal/Regulatory/Code Organizations

Canadian Codes Centre (CCC)

The CCC provides opinions on the requirements in the model national building code.

613-993-9960

www.nationalcodes.ca

National Research Council Canada (NRC)

The NRC sells the model national building code of Canada.

www.nrc-cnrc.gc.ca/virtualstore

Resources - Legal/Regulatory/Code Publications

ADA Standards for Accessible Design

www.ada.gov/stdspdf.htm

Americans with Disabilities Act and Architectural Barriers Act Accessibility Guidelines - 2004

www.access-board.gov/ada-aba/index.htm

Uniform Federal Accessibility Standards (UFAS)

www.access-board.gov/ufas

International Building Code and ICC/ANSI A177.1

Standard on Accessible and Usable Buildings and Facilities

These publications are only available for purchase.

www.iccsafe.org

Canada

Resources - Legal/Regulatory/Code Publications

National Building Code of Canada (NBC)

The NBC is only available for purchase.

www.nrc-cnrc.gc.ca/virtualstore

Häfele provides the complete range of HEWI product to the North American market. Products are designed to meet the market requirements and identified designer preferences. Therefore, some components are presented in Häfele catalogs, some are stocked and some require special orders. Many HEWI products are also available in custom sizes.

HEWI products can be reviewed at www.hafele.com or in THE COMPLETE HÄFELE Furniture/Cabinetry Hardware and Architectural/Builders Hardware catalogs.

For assistance in selection or ordering, please contact Häfele in the U.S. or Canada at 800.423.3531.

For assistance in specification for projects, Häfele provides direct consultation with Häfele Architectural Business Managers and application engineering from our Technical Sales Specialists. Please call and ask for a referral.

Häfele offers customers online ordering and order tracking. We look forward to working with you for your individual and project design needs.



HÄFELE
FINDING BETTER WAYS

Häfele Headquarters
Sales/Distribution/
Corporate Office
3901 Cheyenne Drive
P.O. Box 4000
Archdale, NC 27263
Toll free: 800 423 3531
Fax: 800 325 6197
www.hafele.com

San Francisco
Showroom/Sales
151 Vermont Street, Suite 9
San Francisco, CA 94103
Toll free: 800 423 3531
Fax: 800 325 6197

New York
Showroom/Sales
at Madison Park
25 East 26th Street
New York, New York 10010
Toll free: 800 423 3531
Fax: 800 325 6197

Los Angeles
Showroom/Sales/Distribution
19641 Harborgate Way
Torrance, CA 90501
Toll free: 800 423 3531
Fax: 800 325 6197

Chicago
Showroom/Sales
154 W. Hubbard Street
Chicago, IL 60610
Toll free: 800 423 3531
Fax: 800 325 6197

Caribbean
Sales/Distribution/
Corporate Office
3901 Cheyenne Drive
P.O. Box 4000
Archdale, NC 27263
(P.R. & USA) 800 423 3531
Fax: 800 325 6197

Canada Headquarters
Showroom/Sales/Distribution
5323 John Lucas Dr.
Burlington, Ontario L7L 6A8
Phone: 800 423 3531
Local: 905 336 6608
Fax: 905 319 4445

Calgary
Sales/Distribution
Bay 30, 2151-32nd Street N.E.
Calgary, Alberta T1Y 7G3
Phone: 800 423 3531
Local: 403 291 9670
Fax: 403 291 9592

Montréal
For customers in Québec
and the Maritimes please call:
Phone: 800 423 3531
Local: 514 593 8206
Fax: 514 593 4472

www.hewi.com
www.hafele.com